



SINCE 1976

SHOWFOU PUMP

SUBMERSIBLE HIGHHEAD PUMP

修附電機



標檢局

ISO-9001/CNS12681

SH-
高揚程幫浦

SHA-
自動浮球幫浦

SH
Highhead Pump

SHA
Automatic
High-head Pump

(FOR CLEAN WATER)



SH 1HP-15HP

SHA 1HP

■ 使用沉水幫浦與傳統式離心幫浦比較及其特點:

1. 消除噪音公害。
2. 沉水式幫浦，特別設計放入於水池內使用，安靜、絕無噪音。
3. 不佔用地方、安裝簡便，無需保養免除灌水之麻煩。

■ 特點:

1. 馬達外殼、螺絲、濾水網皆採用不銹鋼製成。
2. 幫浦內部構造採用渦流式水流設計，並配合 2 極馬達，揚程高，水量大，適合一般高揚程送水。
3. 葉輪皆經過平衡試驗機校正，無振動產生的噪音，可增長幫浦使用壽命。

■ 用途:

1. 農業灌溉及水坡排水。
2. 淺水給水設備。
3. 公寓、大樓、別墅、住宅，給水設施。
4. 庭院花園噴水設備。
5. 其他高揚程送水、給水。

■ ADVANTAGES OF USING SUBMERSIBLE PUMP COMPARE TO CENTRIFUGAL PUMPS:

1. Quiet, no noise pollution.
2. Special designed submersible pumps for water-pool use, quiet and noiseless.
3. No special space required, easy installation maintenanceless and free of pre-filling water.

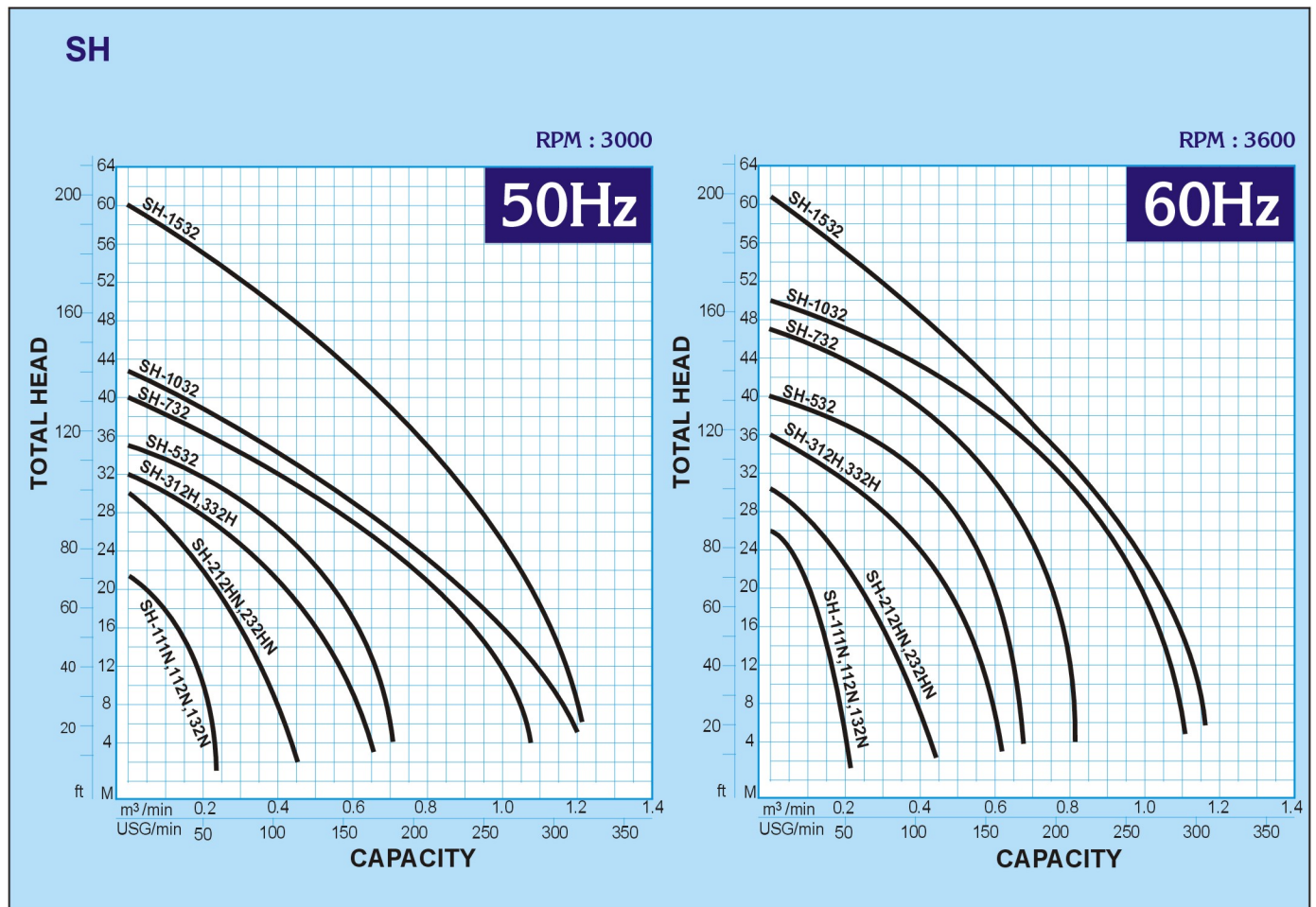
■ FEATURES:

1. The parts of motor casing screw & strainer are made of stainless steel.
2. Adopted turbine flow design and two poles motors, if get high head and capacity and save one third energy as compared with other brand pump.
3. The impeller is precisely balanced for maximum performance to assure smooth vibrationless and durable operation.

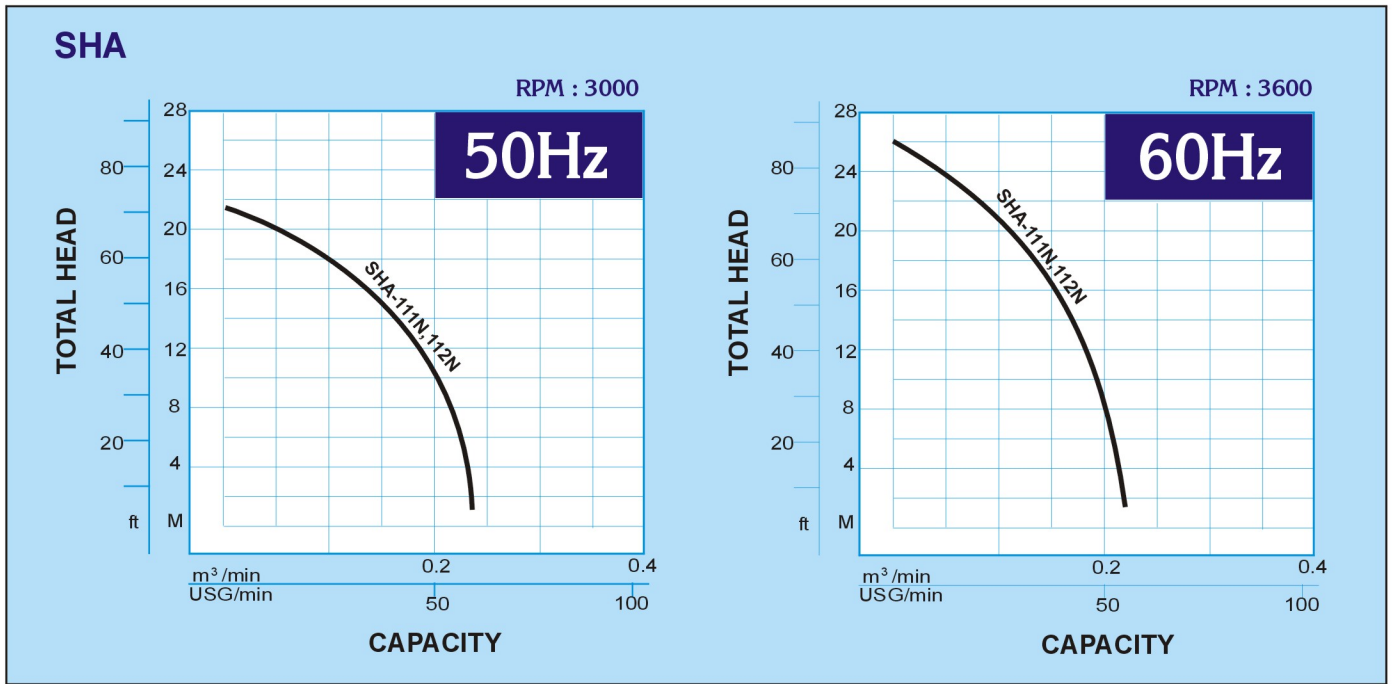
■ APPLICATIONS:

1. Agricultural irrigations and water supply in slope area.
2. Shallow well.
3. Water-supplying system of apartment, building.
4. Spraying system of yard and garden.
5. Any kind of high head water supply.

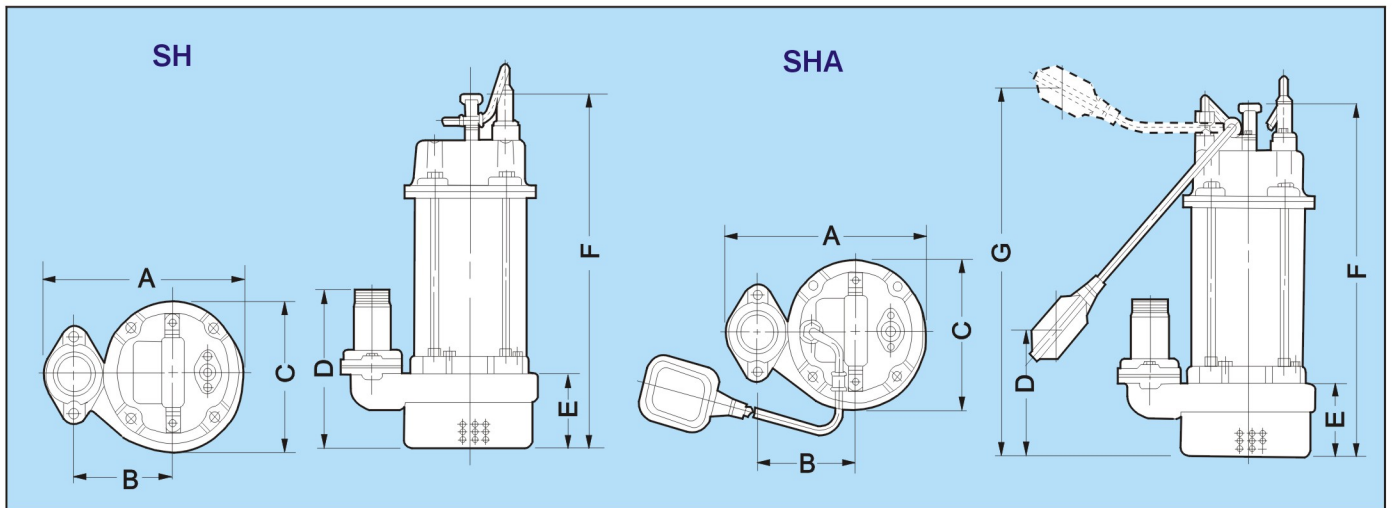
■ PERFORMANCE CURVE



PERFORMANCE CURVE



DIMENSIONS:



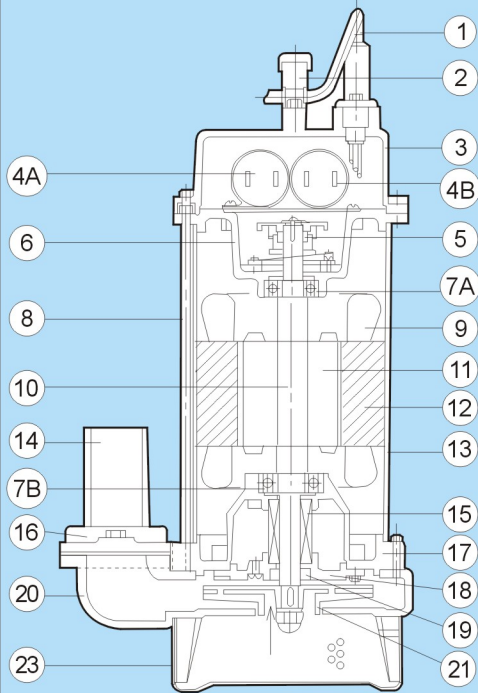
SPECIFICATIONS:

DIMENSIONS:

型式 TYPE	電動機 MOTOR			抽水機 PUMP						電纜 Cable	重量 Weight	尺寸 SIZE								
	馬力 Power KW	相數 Phase PH	電壓 Volt V	口徑 Disch. Dia.		最高揚程 Max. Head		最大水量 Max. Flow				通過粒徑 Solid Passage	A	B	C	D	E	F	G	
				inch	mm	50Hz	60Hz	50Hz	60Hz											M
	mm	mm	mm	mm	mm	mm	mm	mm	mm			mm	mm	mm	mm	mm	mm	mm		
SH HIGHHEAD PUMP (FOR CLEAN WATER)																				
SH-111N	0.75	1	1	110	1 1/2"	40	21	26	0.24	0.22	Ø 3.5	2 ² x6	23	265	135	190	190	85	437	
SH-112N				220																
SH-132N			3	200-480																
SH-212HN	1.5	2	1	200-480	2"	50	30	31	0.45	0.45	Ø 6	3.5 ² x10	30	335	165	265	260	100	510	
SH-232HN			3	200-480																26
SH-312H	2.2	3	1	200-480	3"	80	32	36	0.65	0.62	Ø 6	3.5 ² x10	46	335	192	265	290	100	540	
SH-332H			3	200-480																39
SH-532	3.7	5	3	200-480	3"	80	35	40	0.70	0.68	Ø 6	3.5 ² x10	49	335	192	265	290	100	460	
SH-732	5.5	7 1/2	3	200-480	4"	100	40	47	1.07	0.82	50 x 11	5.5 ² x10	77	420	210	280	300	150	610	
SH-1032	7.5	10	3	200-480	4"	100	43	50	1.20	1.10	50 x 11	5.5 ² x10	78	420	210	280	300	150	610	
SH-1532	11	15	3	200-480	4"	100	61	62	1.20	1.16	Ø 10	8 ² x10	120	450	250	300	340	200	700	
SHA AUTOMATIC HIGHHEAD PUMP																				
SHA-111N	0.75	1	1	110	1 1/2"	40	20	26	0.24	0.22	Ø 3.5	2 ² x6	23	265	135	190	90	85	437	500
SHA-112N				220																

CONSTRUCTIONS:

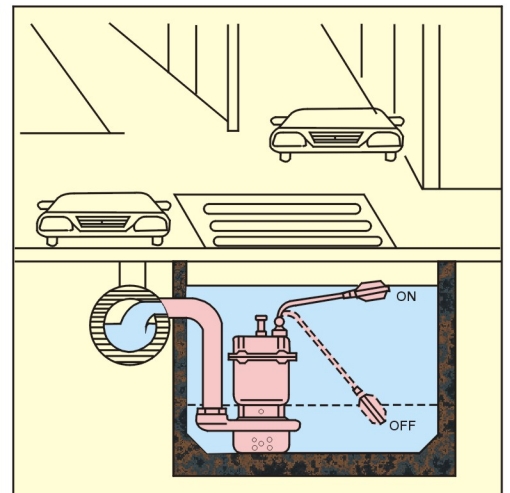
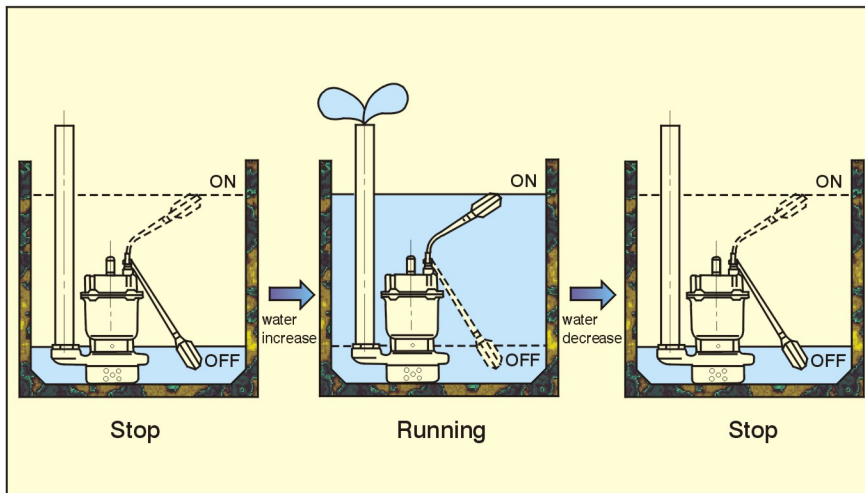
SH/SHA



NO.	PARTS LIST	MATERIAL	NO.	PARTS LIST	MATERIAL
1	Cable	V.C.T.	11	Rotor	Steel Plate
2	Handle	Stainless Steel	12	Stator	Steel Plate
3	Motor Head Cover	Cast Iron	13	Motor Casing	SUS304
4A	Condenser(Starting)	2HP, 3HP/1φ	14	Hose Coupling	Steel(1/2 to 2HP) C.I. (3 to 15HP)
4B	Condenser(Running)	1φ only	15	Mechanical Seal	Ceramic-Carbon
5	Centrifugal Switch	2HP, 3HP/1φ	16	Flange Setter	Cast Iron
6	Upper Bracket	Cast Iron (1φ only)	17	Motor Lower Cover	Cast Iron
7A	Ball Bearing		18	Mechanical Seal Cover	Plastic
7B	Ball Bearing		19	Oil Seal	Synthetic Rubber
8	Bolt	Stainless Steel	20	Pump Casing	Cast Iron
9	Coil		21	Impeller	Bronze
10	Shaft	Stainless Steel	23	Strainer	Stainless Steel

※ C.I. = Cast Iron

自動排水 Automatic Drainage



修附電機股份有限公司
SHOWFOU ELECTRIC MACHINE CO., LTD.
www.pompacelup.id

0812-9876-6766

All specifications subject to change without notice.